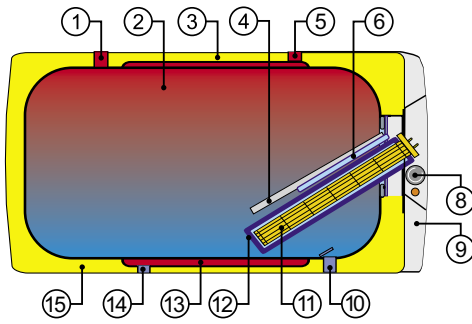


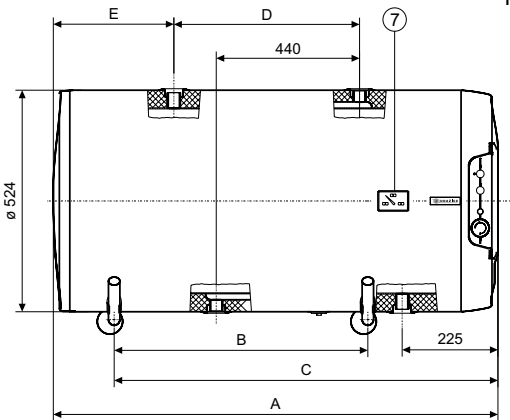
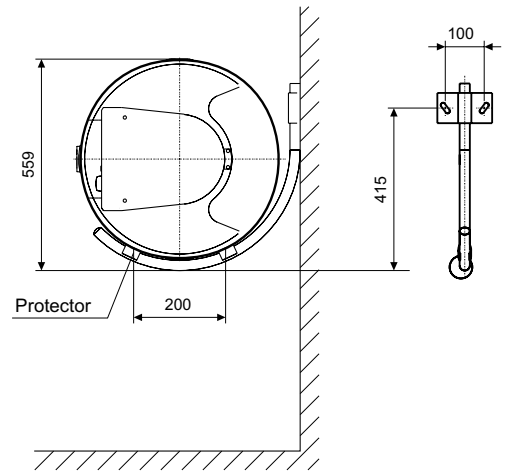
Wall-mounted, horizontal - exchanger area 0,7m²

OKCV 125, OKCV 160
OKCV 125 NTR, OKCV 160 NTR



Storage water heater **COMBINED** for horizontal mounting

- 1 Discharge pipe for hot water
- 2 Enamelled steel tank
- 3 Polyurethane CFC-free insulation - 42 mm
- 4 Mg anode
- 5 Inlet for heating water
- 6 Holder for operating and safety thermostat
- 7 Temperature indicator
- 8 Operating thermostat with external control
- 9 Cover for electrical equipment
- 10 Filling pipe for cold water
- 11 **DRY CERAMIC HEATING ELEMENT – not for NTR**
- 12 Holder for heating element
- 13 Heat exchanger
- 14 Outlet for heating water
- 15 Heater casing



Type	OKCV 125	OKCV 160
	OKCV 125 NTR	OKCV 160 NTR
A	1046	1235
B	600	700
C	908	1008
D	513	647
E	184	230

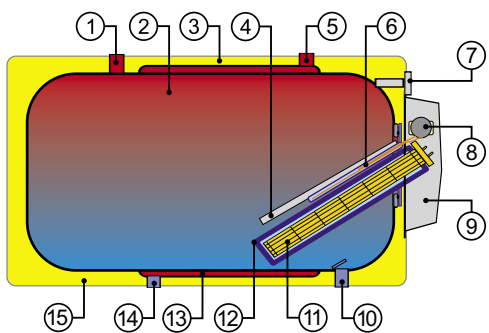
All inlets and outlets have an internal G 3/4" thread.



Type		OKCV 125	OKCV 160
		OKCV 125 NTR	OKCV 160 NTR
Volume	l	125	152
Max. operating overpressure in the tank	MPa		0,6
Max. operating overpressure in the exchanger	MPa		0,4
Electrical connection	V	1 PE-N 230V/50Hz	
Connected load	W	2000	
Electrical protection		IP 44	
Maximum HUW temperature	°C	80	
Recommended HUW temperature	°C	60	
Heater length	mm	1046	1235
Heater diameter	mm	524	524
Maximum weight of heater without water	kg	68/66	77/75
Heating period with el. en. from 10°C to 60°C	hour	3,8	5
Heat loss/energy efficiency class	kWh/24h	1,09/C	1,39/C
Exchanger heating surface	m ²	0,7	0,7
Rated exchanger output with a heating water temperature of 80 °C and flow of 720 l/h	W	16800	16800
Heating period with exchanger from 10°C to 60°C	min	26	35
Rated exchanger output with a heating water temperature of 80 °C and flow of 310 l/h	W	10260	10260
Heating period with exchanger from 10°C to 60°C	min	43	53

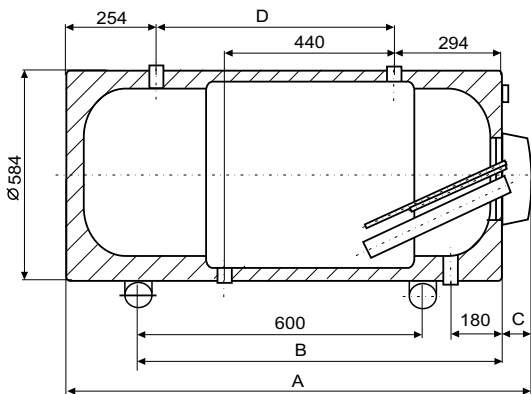
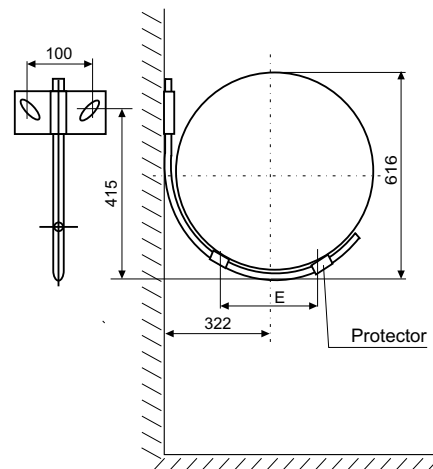
Wall-mounted, horizontal - exchanger area 0,75m²

OKCV 180, OKCV 200
OKCV 180 NTR, OKCV 200 NTR



Storage water heater
COMBINED
for horizontal mounting

- 1 Discharge pipe for hot water
- 2 Enamelled steel tank
- 3 Polyurethane CFC-free insulation - 42 mm
- 4 Mg anode
- 5 Inlet for heating water
- 6 Holder for operating and safety thermostat
- 7 Temperature indicator
- 8 Operating thermostat with external control Safety thermostat
- 9 Cover for electrical equipment
- 10 Filling pipe for cold water
- 11 **DRY CERAMIC HEATING ELEMENT – not for NTR**
- 12 Holder for heating element
- 13 Heat exchanger
- 14 Outlet for heating water
- 15 Heater casing



Type	OKCV 180	OKCV 200
	OKCV 180 NTR	OKCV 200 NTR
A	1200	1300
B	855	870
C	81	81
D	571	671
E	240	240

All inlets and outlets have an internal G 3/4" thread.



Type		OKCV 180	OKCV 200
		OKCV 180 NTR	OKCV 200 NTR
Volume	l	180	200
Max. operating overpressure in the tank	MPa		0,6
Max. operating overpressure in the exchanger	MPa		0,4
Electrical connection	V	1 PE-N 230V/50Hz	
Connected load	W	2200	
Electrical protection		IP 44	
Maximum HUW temperature	°C	80	
Recommended HUW temperature	°C	60	
Heater length	mm	1200	1300
Heater diameter	mm	584	584
Maximum weight of heater without water	kg	85/83	90/88
Heating period with el. en. from 10°C to 60°C	hour	5	5,5
Heat loss/energy efficiency class	kWh/24h	1,39/C	1,4/B
Exchanger heating surface	m²	0,75	0,75
Rated exchanger output with a heating water temperature of 80 °C and flow of 720 l/h	W	18000	18000
Heating period with exchanger from 10°C to 60°C	min	38	43
Rated exchanger output with a heating water temperature of 80 °C and flow of 310 l/h	W	11000	11000
Heating period with exchanger from 10°C to 60°C	min	63	72

The OKCV 180, 200 heaters can be made to order with a heating element with 4000W and 3 PE-N 400V/50Hz connection. Heating time is decreased to half the value stated in the table.