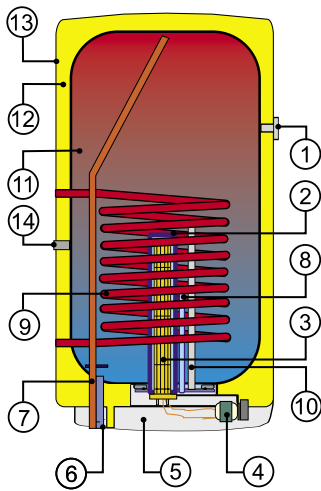


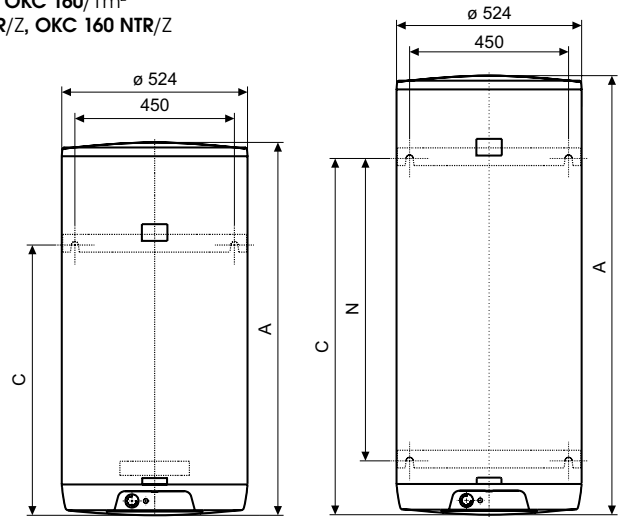
Wall-mounted, vertical - exchanger 0,41m²
 Wall-mounted, vertical - exchanger 0,41m²
 Wall-mounted, vertical - exchanger 0,68m²
 Wall-mounted, vertical - exchanger 1,08m²

OKC 80
OKC 80 NTR/Z
OKC 100, OKC 125, OKC 160
OKC 100/1m², OKC 125/1m², OKC 160/1m²
OKC 100 NTR/Z, OKC 125 NTR/Z, OKC 160 NTR/Z



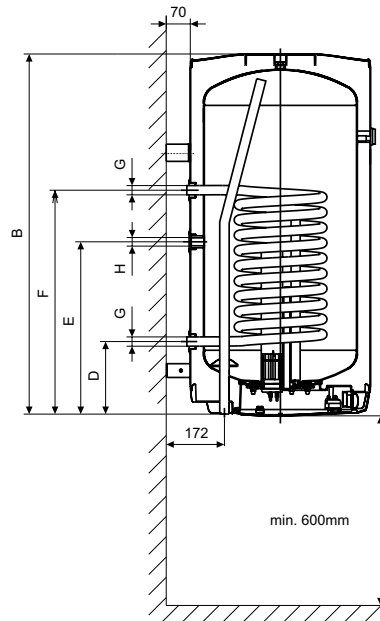
**Storage water heater
 COMBINED
 for vertical mounting**

- 1 Temperature indicator
- 2 Holder for heating element
- 3 **DRY CERAMIC HEATING ELEMENT - not for NTR/Z**
- 4 Operating thermostat with external control Safety thermostat
- 5 Cover for electrical equipment
- 6 Filling pipe for cold water
- 7 Discharge pipe for hot water
- 8 Holder for operating and safety thermostat
- 9 Tubular exchanger
- 10 Mg anode
- 11 Enamelled steel tank
- 12 Polyurethane CFC-free insulation - 42 mm
- 13 Heater casing
- 14 Circulation - only for heaters with a 1m² exchanger



Upper hinge and mounting
 80l, 100l, 125l
 2 anchor screws

Upper hinge and lower hinge
 160l, 4 anchor screws
 Check dimensions 450 mm and N
 before drilling.



Type	OKC 80	OKC 100	OKC 125	OKC 160
	-	OKC 100/1m ²	OKC 125/1m ²	OKC 160/1m ²
	OKC 80 NTR/Z	OKC 100 NTR/Z	OKC 125 NTR/Z	OKC 160 NTR/Z
A	736	881	1046	1235
B*	731	876	1041	1230
C	615	765 / 636	765 / 801	1005
D	211	211	211 / 261	211 / 261
E	-	- / 551	- / 551	- / 831
F	501	651 / 701	651 / 701	651 / 701
G	G 3/4"	G 3/4" / G 1"	G 3/4" / G 1"	G 3/4" / G 1"
H	-	- / G 3/4"	- / G 3/4"	- / G 3/4"
N	-	-	-	720 / 815

*Distance from the upper edge of the heater to the end of the water inlet and outlet pipes. Check dimensions B and N before drilling.

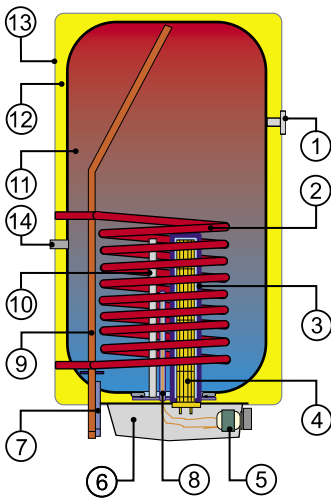


Type		OKC 80	OKC 100	OKC 125	OKC 160
		-	OKC 100/1m ²	OKC 125/1m ²	OKC 160/1m ²
		OKC 80 NTR/Z	OKC 100 NTR/Z	OKC 125 NTR/Z	OKC 160 NTR/Z
Volume	l	75	95	120	147
Max. operating overpressure in the tank	MPa	0,6			
Max. operating overpressure in the exchanger	MPa	1			
Electrical connection*	V	1 PE-N 230V/50Hz			
Connected load *	W	2000			
Electrical protection		IP 45			
Maximum HUW temperature	°C	80			
Recommended HUW temperature	°C	60			
Heater height	mm	736	881	1046	1235
Heater diameter	mm	524	524	524	524
Maximum weight of heater without water	kg	49/47	62/70/68	69/77/75	74/82/80
Heating period with el. en. from 10°C to 60°C *	hour	2,5	3	3,8	5
Heat loss/energy efficiency class	kWh/24h	0,71/C	0,88/C	1,09C	1,39/C
Type		OKC 80	OKC 100	OKC 125	OKC 160
Exchanger heating surface	m ²	0,41	0,68	0,68	0,68
Rated exchanger output with a heating water temperature of 80 °C and flow of 720 l/h	W	9000	17000	17000	17000
Heating period with exchanger from 10°C to 60°C	min	32	23	28	35
Rated exchanger output with a heating water temperature of 80 °C and flow of 310 l/h	W	7000	9000	9000	9000
Heating period with exchanger from 10°C to 60°C	min	50	48	55	75
Type		OKC 100/1m ²	OKC 125/1m ²	OKC 160/1m ²	
Exchanger heating surface	m ²	-	1,08	1,08	1,08
Rated exchanger output with a heating water temperature of 80 °C and flow of 720 l/h	W	-	24000	24000	24000
Heating period with exchanger from 10°C to 60°C	min	-	14	17	23

OKC a OKC/1m² series heaters can be made to order with a heating element with 4000W and 3 PE-N 400V/50Hz connection. Heating time is decreased to half the value stated in the table.
 * These lines do not apply to NTR/Z types, which do not have a heating element.

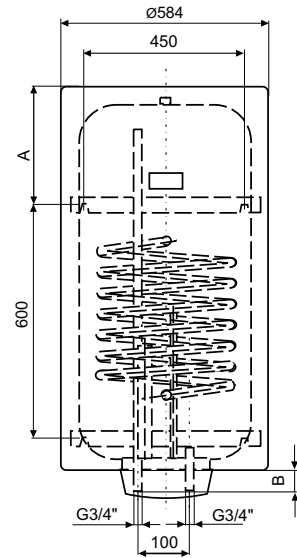
Wall-mounted, vertical - exchanger 0,68m²
 Wall-mounted, vertical - exchanger 1m²

OKC 180, OKC 200
OKC 180/1m², OKC 200/1m²
OKC 200 NTR/Z



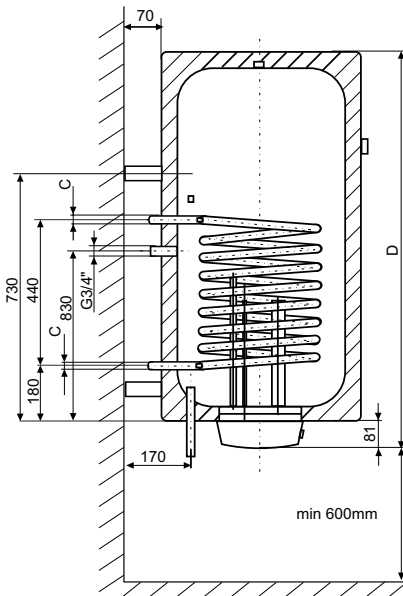
Storage water heater **COMBINED** for vertical mounting

- 1 Temperature indicator
- 2 Coil heat exchanger
- 3 Holder for heating element
- 4 **DRY CERAMIC HEATING ELEMENT - not for NTR/Z**
- 5 Operating thermostat with external control
Safety thermostat
- 6 Cover for electrical equipment
- 7 Filling pipe for cold water
- 8 Holder for operating and safety thermostat
- 9 Discharge pipe for hot water
- 10 Mg anode
- 11 Enamelled steel tank
- 12 Polyurethane CFC-free insulation - 42 mm
- 13 Heater casing
- 14 Circulation



Upper hinge and lower hinge
 180l, 200l
 4 anchor screws

Circulation - only for heaters
 with a 1m² exchanger
 Check dimensions 450 and 600 mm
 before drilling.



Type	OKC 180	OKC 180/1m ²	OKC 200	OKC 200/1m ²
	OKC 200 NTR/Z			
A	388	388	488	488
B	75	75	75	75
C	3/4"	1"	3/4"	1"
D	1200	1200	1300	1300

Type		OKC 180	OKC 200
		OKC 180/1m ²	OKC 200/1m ²
Volume	l	175	195
Max. operating overpressure in the tank	MPa	0,6	
Max. operating overpressure in the exchanger	MPa	1	
Electrical connection*	V	1 PE-N 230V/50Hz	
Connected load *	W	2200	
Electrical protection		IP 45	
Maximum HUW temperature	°C	80	
Recommended HUW temperature	°C	60	
Heater height	mm	1200	1300
Heater diameter	mm	584	584
Maximum weight of heater without water	kg	82/90	89/96/94
Heating period with el. en. from 10°C to 60°C *	hour	5	5,5
Heat loss/energy efficiency class	kWh/24h	1,39/C	1,4/B
Type		OKC 180	OKC 200
Exchanger heating surface	m²	0,68	0,68
Rated exchanger output with a heating water temperature of 80 °C and flow of 720 l/h	W	17000	17000
Heating period with exchanger from 10°C to 60°C	min	40	45
Rated exchanger output with a heating water temperature of 80 °C and flow of 310 l/h	W	9000	9000
Heating period with exchanger from 10°C to 60°C	min	77	86
Type		OKC 180/1m ²	OKC 200/1m ²
Exchanger heating surface	m²	1,08	1,08
Rated exchanger output with a heating water temperature of 80 °C and flow of 720 l/h	W	24000	24000
Heating period with exchanger from 10°C to 60°C	min	26	28

OKC a OKC/1m² series heaters can be made to order with a heating element with 4000W and 3 PE-N 400V/50Hz connection. Heating time is decreased to half the value stated in the table.

* These lines do not apply to NTR/Z types, which do not have a heating element.

