

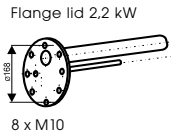
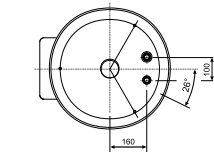
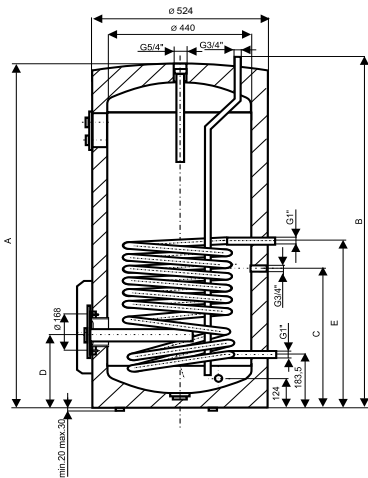
INDIRECT STORAGE WATER HEATERS

Stationary 0,6 MPa
Heating element built - in to flange 2,2kW

Stationary 0,6 MPa
With side flange - no heating element

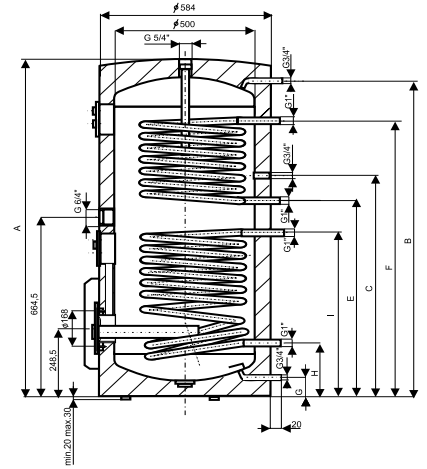
OKCE 100 NTR/2,2kW, OKCE 125 NTR/2,2kW, OKCE 160 NTR/2,2kW
OKCE 200 NTR/2,2kW, OKCE 250 NTR/2,2kW
OKCE 200 NTRR/2,2kW, OKCE 250 NTRR/2,2kW
OKC 100 NTR/BP, OKC 125 NTR/BP, OKC 160 NTR/BP
OKC 200 NTR/BP, OKC 250 NTR/BP
OKC 200 NTRR/BP, OKC 250 NTRR/BP

OKCE 100 NTR/2,2kW, OKCE 125 NTR/2,2kW
OKC 100 NTR/BP, OKC 125 NTR/BP

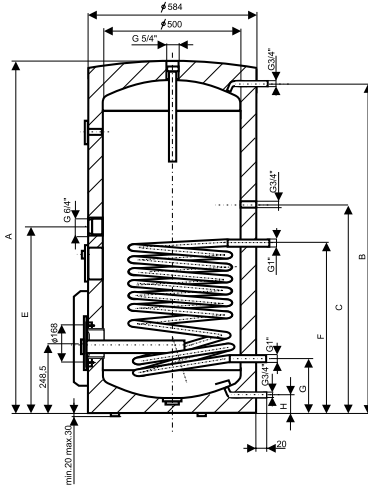


Type	OKCE 100 NTR/2,2kW OKC 100 NTR/BP	OKCE 125 NTR/2,2kW OKC 125 NTR/BP
A	815	980
B	869	1040
C	517	623
D	229	246
E	623	753

OKCE 200 NTRR/2,2kW, OKCE 250 NTRR/2,2kW
OKC 200 NTRR/BP, OKC 250 NTRR/BP



OKCE 160 NTR/2,2kW, OKCE 200 NTR/2,2kW, OKCE 250 NTR/2,2kW
OKC 160 NTR/BP, OKC 200 NTR/BP, OKC 250 NTR/BP



Type	OKCE 200 NTRR/2,2kW OKC 200 NTRR/BP	OKCE 250 NTRR/2,2kW OKC 250 NTRR/BP
A	1328	1508
B	1264	1448
C	844	1048
E	694	878
F	1134	1318
G	64	68
H	194	198
I	634	638

Type	OKCE 160 NTR/2,2kW OKC 160 NTR/BP	OKCE 200 NTR/2,2kW OKC 200 NTR/BP	OKCE 250 NTR/2,2kW OKC 250 NTR/BP
A	1018	1328	1508
B	952	1265	1445
C	635	935	1045
E	-	796	796
F	765	765	765
G	195	195	195
H	65	65	65

There is no G6/4" hole on heaters with a volume of 160 litres.

Type		OKCE 100 NTR/2,2 kW OKC 100 NTR/BP	OKCE 125 NTR/2,2 kW OKC 125 NTR/BP
Volume	l	95	120
Maximum weight of heater without water	kg	73/70	85/82
Max. operating overpressure in the tank	MPa	0,6	0,6
Max. operating overpressure in the exchanger	MPa	1	1
Maximum temperature heating water	°C	110	110
Maximum HUW temperature	°C	80	80
Exchanger heating surface	m²	1,08	1,45
Performance of the lower / upper exchanger	kW	24	32
Continuous HUW power*/LE/UE	l/h	610	990
Heating period with exchanger from 10°C to 60°C	min	14	14
Heating period with el. en. from 10°C to 60°C	hour	3	3,5
Connected load *	W	2200	
Electrical connection		1 PE-N 230V/50Hz	
Electrical connection of safety elements		1 PE-N 230V/50Hz	
Electrical protection		IP 44	
Heat loss/energy efficiency class	kWh/24h	0,9/C	1,1/C

Type		OKCE 160 NTR/2,2 kW	OKCE 200 NTR/2,2 kW	OKCE 200 NTRR/2,2kW	OKCE 250 NTR/2,2 kW	OKCE 250 NTRR/2,2kW
		OKC 160 NTR/BP	OKC 200 NTR/BP	OKC 200 NTRR/BP	OKC 250 NTR/BP	OKC 250 NTRR/BP
Volume	l	155	210	195	250	245
Maximum weight of heater without water	kg	88/85	105/102	118/115	114/111	128/125
Max. operating overpressure in the tank	MPa	0,6	0,6	0,6	0,6	0,6
Max. operating overpressure in the exchanger	MPa	1	1	1	1	1
Maximum temperature heating water	°C	110	110	110	110	110
Maximum HUW temperature	°C	80	80	80	80	80
Heating surface of the lower exchanger	m²	1,45	1,45	1,08	1,45	1,08
Heating surface of the upper exchanger	m²	-	-	1,08	-	1,08
Performance of the lower / upper exchanger	kW	32	32	2 x 24	32	2 x 24
Continuous HUW power*/LE/UE	l/hour	990	990	670/650 **1080	990	670/650 **1080
Heating period with exchanger from 10°C to 60°C	min	17	22	28/16	28	36/20
Heating period with el. en. from 10°C to 60°C *	hour	4,5	5,5	5,5	6,5	6,5
Connected load *	W	2200				
Electrical connection		1 PE-N 230V/50Hz				
Electrical connection of control elements		1 PE-N 230V/50Hz				
Electrical protection		IP 44				
Heat loss/energy efficiency class	kWh/24h	1,4/C	1,4/B	1,4/B	1,73/B	1,73/B

* HUW hot utility water 45°C • LE - lower exchanger UE - upper exchanger • * These lines do not apply to NTR/BP types, which do not have a heating element. • **Exchanger joined in series.

INDIRECT STORAGE WATER HEATERS

Stationary 0,6 MPa
Heating element built-in to flange 2,2kW

OKCE 300 NTR/2,2kW
OKCE 300 NTRR/2,2kW

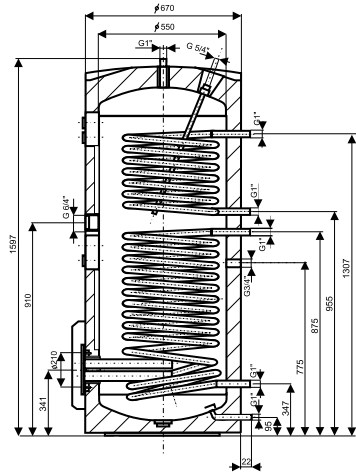
Stationary 0,6 MPa
Heating element built-in to flange 3-6kW

OKCE 300 NTR/3-6kW
OKCE 300 NTRR/3-6kW

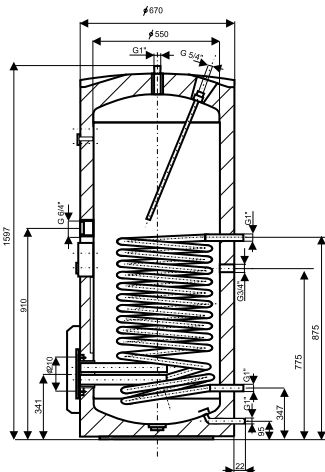
Stationary 0,6 MPa
With side flange – no heating element

OKC 300 NTR/BP
OKC 300 NTRR/BP

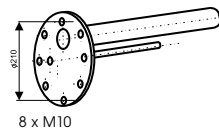
OKCE 300 NTRR/2,2kW, OKCE 300 NTRR/3-6kW
OKC 300 NTRR/BP



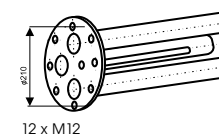
OKCE 300 NTR/2,2kW, OKCE 300 NTR/3-6kW
OKC 300 NTR/BP



Flange lid 2,2 kW



Flange lid 3-6 kW



Circulation for all types.

Type		OKCE 300 NTR/2,2kW	OKCE 300 NTRR/2,2kW
		OKCE 300 NTR/3-6kW	OKCE 300 NTRR/3-6kW
		OKC 300 NTR/BP	OKC 300 NTRR/BP
Volume	l	300	295
Maximum weight of heater without water	kg	140/145/138	150/155/148
Max. operating overpressure in the tank	MPa	0,6	0,6
Max. operating overpressure in the exchanger	MPa	1	1
Maximum temperature heating water	°C	110	110
Maximum HUW temperature	°C	80	80
Heating surface of the lower exchanger	m²	1,5	1,5
Heating surface of the upper exchanger	m²	-	1
Performance of the lower / upper exchanger	kW	35	35/27
Continuous HUW power ¹ / LE/UE	l/hour	1100	1100 / 760
Heating period with exchanger from 10°C to 60°C	min	24	24 / 16
Heating period with el. en. from 10°C to 60°C *	hour	8,5/6-3	8,5 / 6-3
Electrical connection		1 PE-N 230V/50Hz 3 PE-N 400V/50Hz	1 PE-N 230V/50Hz 3 PE-N 400V/50Hz
Electrical connection of control elements - NTR/BP		1 PE-N 230V/50Hz	1 PE-N 230V/50Hz
Electrical protection		IP 44	IP 44
Heat loss/energy efficiency class	kWh/24h	1,86/B	1,86/B

¹ HUW hot utility water 45°C • LE - lower exchanger UE - upper exchanger
* These lines do not apply to NTR/BP types, which do not have a heating element. • **Exchanger joined in series.

